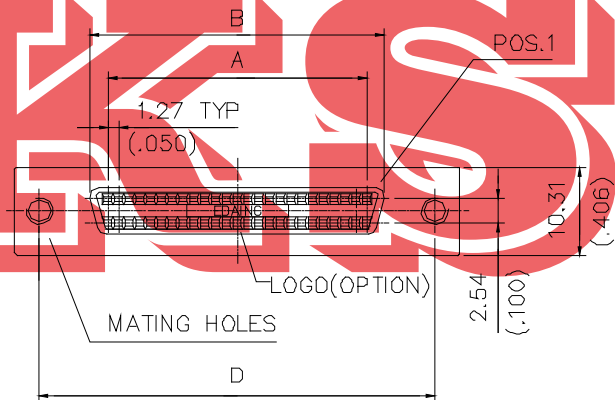
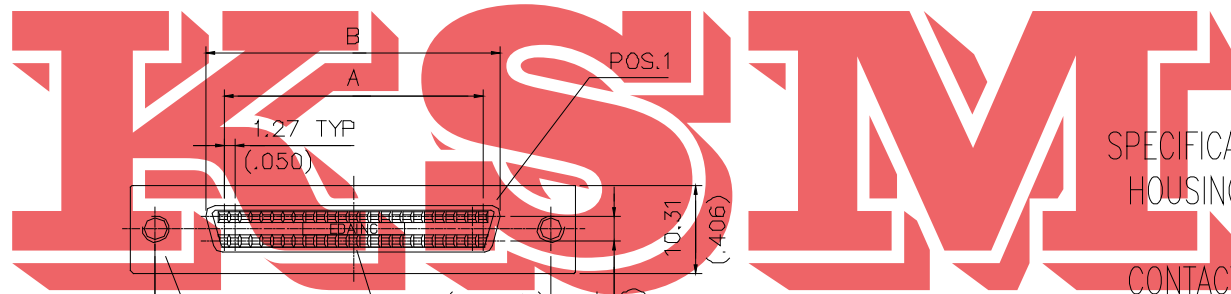


MARK	PLACES	ZONE	ECN	DATE



SPECIFICATION:

HOUSING MATERIAL: PBT WITH GLASS-FIBER REINFORCED
UL 94V-0

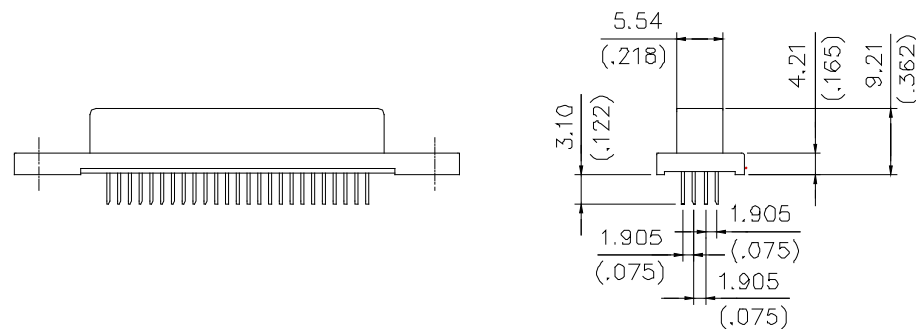
CONTACT MATERIAL: PHOSPHOR BRONZE; GOLD OVER NICKEL
RATED CURRENT: 1A

INSULATION RESISTANCE: 500mΩ MIN.

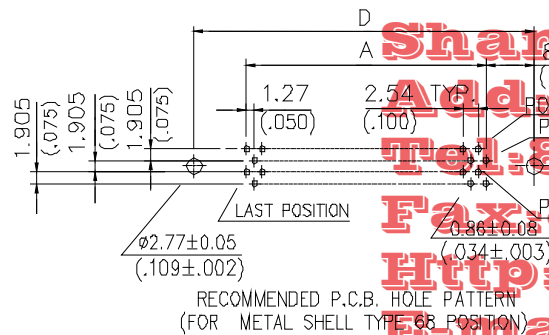
CONTACT RESISTANCE: 35mΩ MAX.

DIELECTRIC WITHSTANDING VOL TAGE: AC 250V FORN1 MINUTE.

OPERATING TEMPERATURE: -25℃ ~ +85℃



POSITION	A±0.10	B±0.15	C±0.15	D±0.10	E±0.20
14pin	7.62	11.84	19.43	23.62	29.59
20pin	11.43	15.65	23.24	27.43	33.40
26pin	15.24	19.46	27.05	31.24	37.21
36pin	21.59	25.81	33.40	37.59	43.56
50pin	30.48	34.10	42.29	46.48	52.45
68pin	41.91	46.13	53.72	57.91	63.88



Shanghai ZhouRi Electronics, CO Ltd.
Add No. 668 Beijing East Road
Tel: 86-21-51571121 53085565
Fax: 86-21-51571120
Http: www.ksmchina.com
E-mail: zhouri1111@163.com

UNLESS OTHERWISE SPECIFIED DIMENSION TOLERANCE	DECIMAL	ANGLE	SERIES 1.27(0.50) SCSI-III H.D. STRAIGHT P.C.B TYPE,FEMALE CONNECTOR	上海洲日电子有限公司 Shanghai ZhuoRi Electronics CO.,LTD.	
	X, X.X X.XX X.XXX	±0.3 ±0.2 ±0.1 ±0.05			
DESIGNED	Item No.		MODEL NO. SCSI	MATERIAL	FINISH
CHECKED	REV.	A	DWG. NO. ZR-SCSI-007	COLOR	QUANTITY
APPROVED	THE THIRD ANGLE PROJECTION		Item No.	UNIT mm	SIZE A4
	SCALE	1:1		SHEET OF	PAGES

RECOMMENDED P.C.B. HOLE PATTERN
(FOR METAL SHELL TYPE 68 POSITION)